

# FALCON™ PERMANENT MOUNT



- RED:** To +VDC (fuse @ 10A)
- BLACK:** To Chassis Ground (-)
- WHITE:** For Simultaneous or Alternating Flash
  - Group1 Units: (Wiring- WHITE connected to RED) will flash together
  - Group2 Units: (Wiring- WHITE not connected to RED) will flash together
  - \*Group1 Units will alternate with Group2 Units\*
- YELLOW:** Flash patterns & Synchronization
  - Connect YELLOW wires of all heads together for synchronization
  - \*All heads must be set at the same pattern

**WARNING:** Do not look directly into the LEDs while in operation. May cause momentary blindness and/or eye damage.

## FLASH PATTERNS

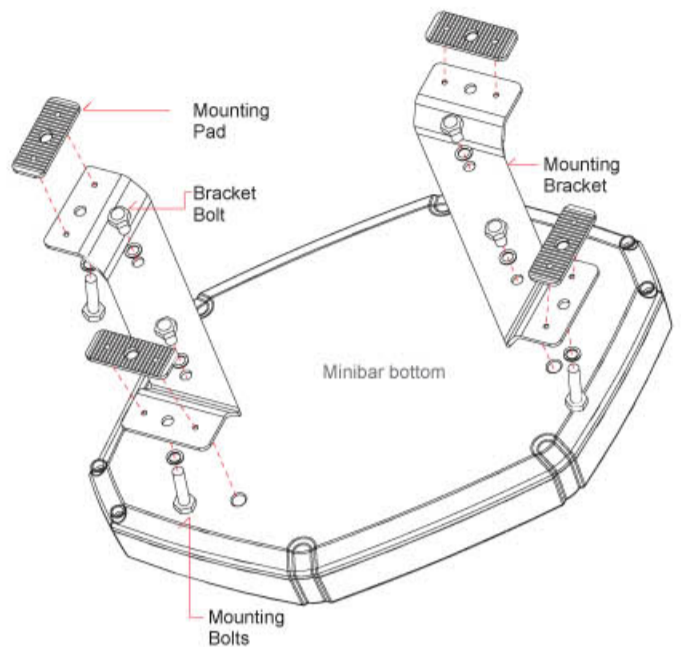
Momentarily apply +VDC to **YELLOW:**

- Once for next pattern
- Quickly 3 times for reset to FP#0

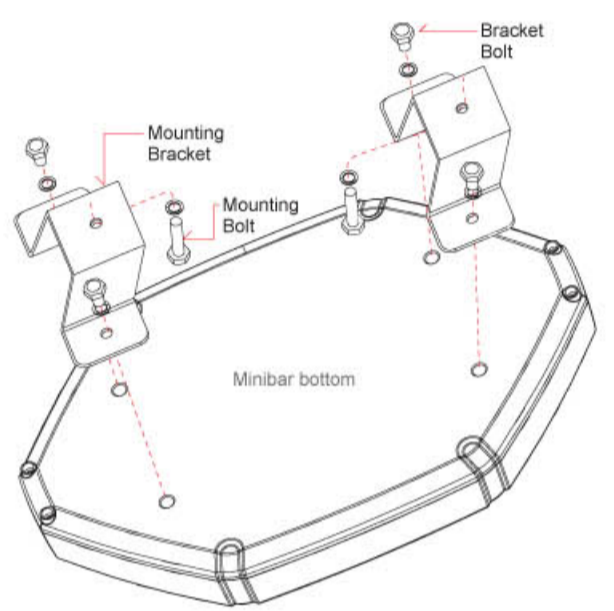
FP#	FLASH PATTERNS
0	Kit Scan (split)
1	Outside-In Single
2	Outside-In Ultra
3	Side-by-Side Single
4	Side-by-Side Ultra
5	Random
6	Single (split)
7	Double (split)
8	Quad (split)
9	Quint (split)
10	Mega (split)
11	Ultra (split)
12	Single-Quad (split)
13	Single H/L (split)
14	Single (all)
15	Double (all)
16	Quad (all)
17	Quint (all)
18	Mega (all)
19	Ultra (all)
20	Single-Quad (all)
21	Single H/L (all)
22	Single Cross
23	Ultra Cross
24	Rotator1
25	Rotator2

**Note:** This unit is not factory set at FP#0

## 4-Bolt Mount Brackets



## 2-Bolt Mount Brackets



# FALCON™ MAGNETIC MOUNT



Lightly tap top-center of minibar with Magnet Card.

**WARNING:** Do not look directly into the LEDs while in operation. May cause momentary blindness and/or eye damage.

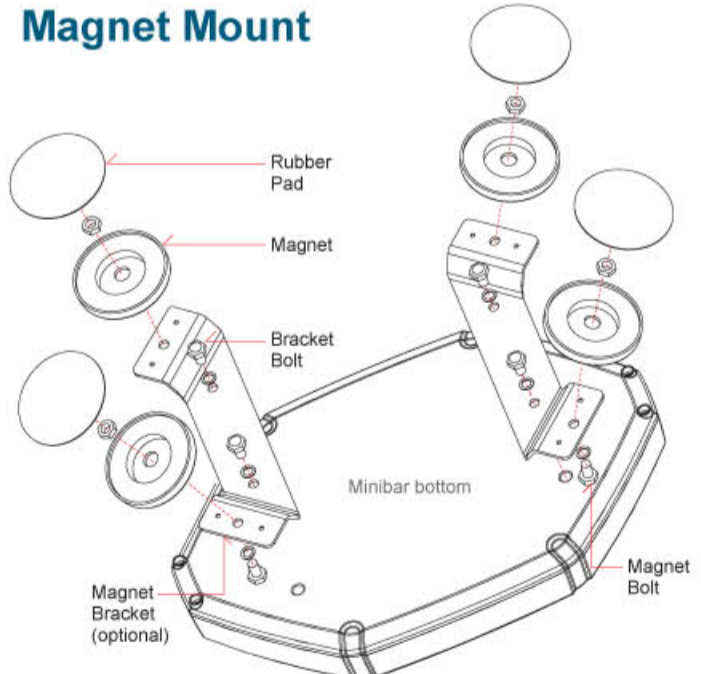
## FLASH PATTERNS

Momentarily apply Magnet Card to top-center of minibar for next pattern.

FP#	FLASH PATTERNS
0	Kit Scan (split)
1	Outside-In Single
2	Outside-In Ultra
3	Side-by-Side Single
4	Side-by-Side Ultra
5	Random
6	Single (split)
7	Double (split)
8	Quad (split)
9	Quint (split)
10	Mega (split)
11	Ultra (split)
12	Single-Quad (split)
13	Single H/L (split)
14	Single (all)
15	Double (all)
16	Quad (all)
17	Quint (all)
18	Mega (all)
19	Ultra (all)
20	Single-Quad (all)
21	Single H/L (all)
22	Single Cross
23	Ultra Cross
24	Rotator1
25	Rotator2

**Note:** This unit is not factory set at FP#0

## Magnet Mount



**NOTE:** Magnets can be secured directly to minibar without use of Brackets.

## Vacuum Magnet Mount

