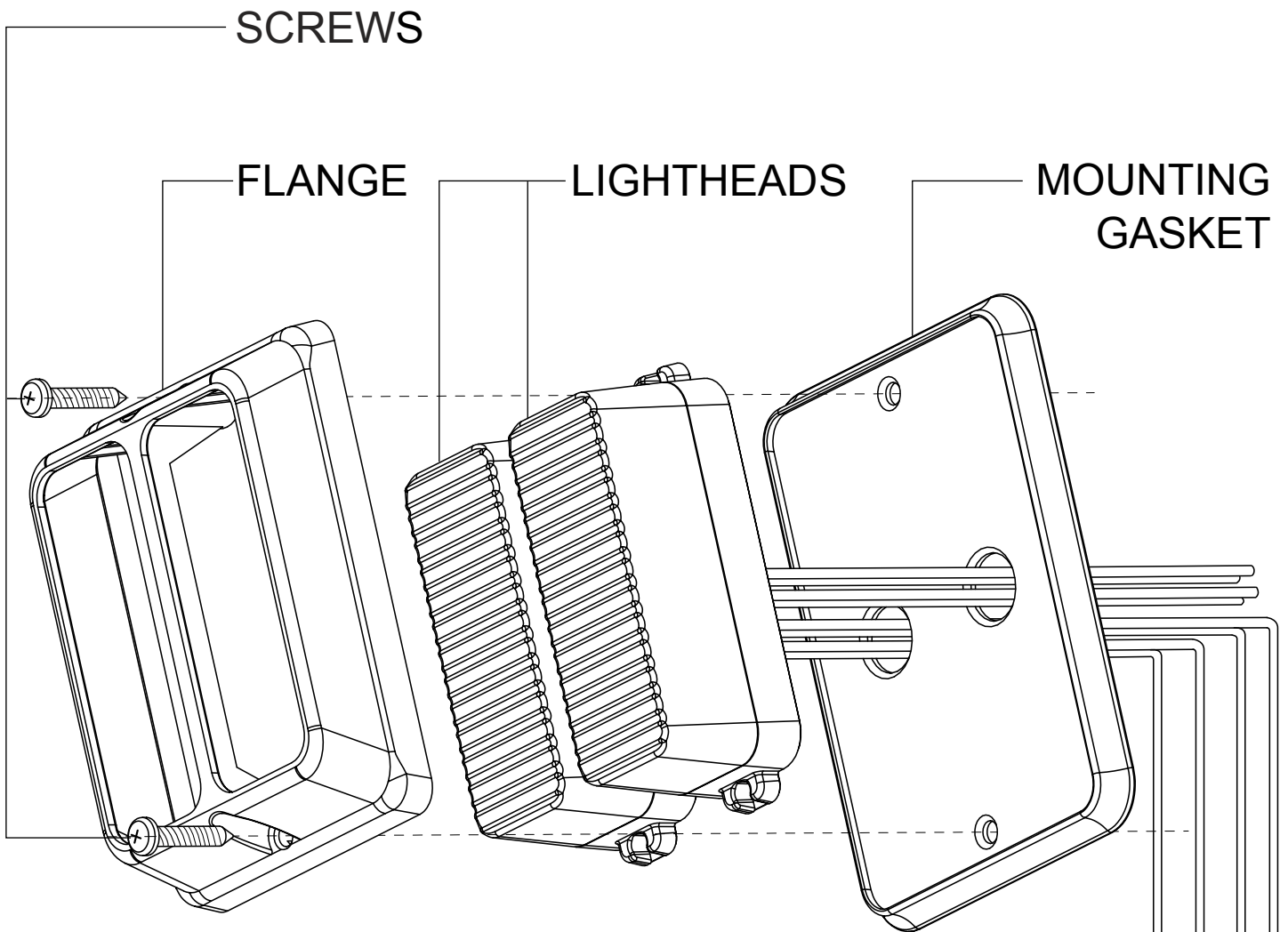


## 2 x 3-LED LIGHTHEAD



To +12VDC (fuse @ 3A) -----

**RED**

To Chassis Ground -----

**BLACK**

For Simultaneous or Alternating Flash -----

**WHITE**

Group1 Heads: (Wiring- WHITE connected to RED) will flash together

Group2 Heads: (Wiring- WHITE not connected to RED) will flash together

\*Group1 Heads will alternate with Group2 Heads\*

For Synchronization & Flash Patterns -----

**YELLOW**

Connect YELLOW wires of all heads together for synchronization